

Installation Instructions

R2 Option & R3 Option



1.
2.
3.
4.

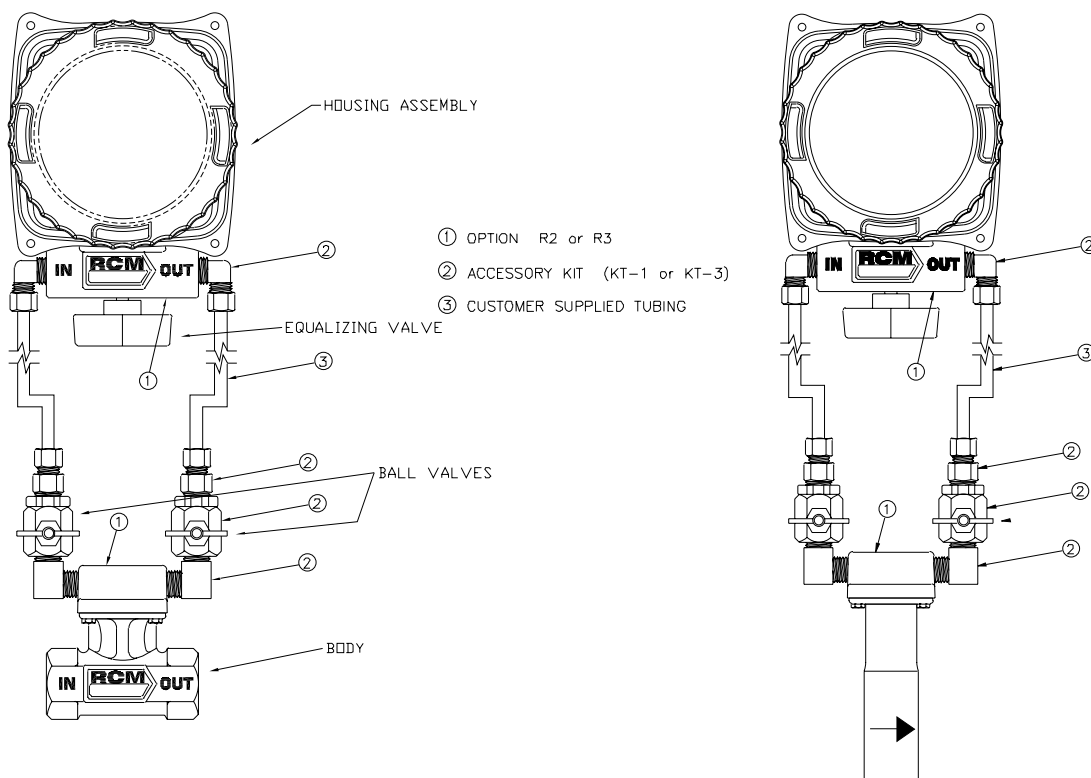
Install the body in the piping system according to the Installation, Operation, and Maintenance Manual (M-1).

Remove the back coverplate screws. Mount the housing assembly to the wall, panel or bracket using #8 screws screwed in from the front through the back coverplate and into the wall. (These screws and other hardware are NOT INCLUDED.) **CAUTION:** Do not to overtighten mounting screws, as damage may result.

Connect the housing assembly and body with 1/4" tubing or piping suitable for the process conditions. Accessory kits provide suitable fittings. (KT-1 brass or KT-3 stainless steel.) Tubeing not included.

Close ball valves at the meter body. With the equalizing valve open, pressurize the system. Open the ball valves and check for leaks. Open the equalizing valve and purge the air from the system until steady flow is attained. (1-2 minutes). Close the equalizing valve to complete the installation.

Note: The meter zero can be checked at any time by opening the equalizing valve.



Threaded

Wafer